

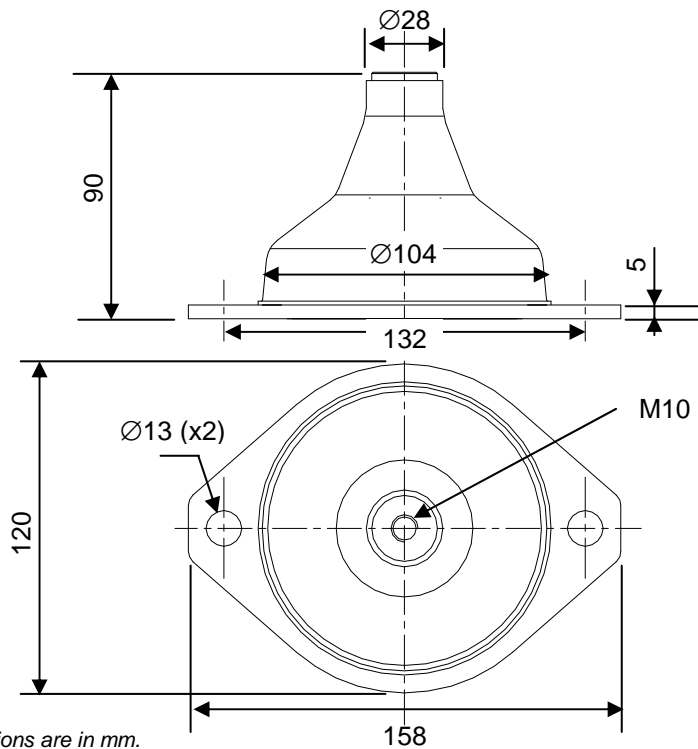
# low frequency elastomer mounts

series

## standard line "BFL"

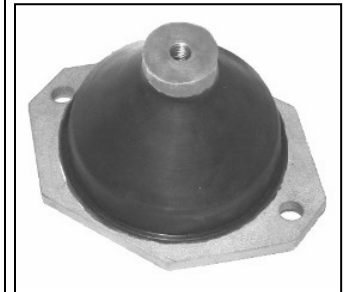
**BFL**

### definition



Dimensions are in mm.

- Multidirectional anti-vibration/ shock mounts.
- Displacement under shock up to 45mm.
- Transmissibility :  $Q < 10$ .
- Maximum static load 3g.
- Resonant frequency between 10 and 12Hz.
- Temperature range :  $-30^{\circ}\text{C} +100^{\circ}\text{C}$ .
- Great adaptability/versatility : Specials on request (materials, size and interfaces, etc.).



#### Series

Materials and finishes

#### BFL

**Elastomer :**  
polychloroprene  
**Top and bottom interfaces :**  
corrosion protected steel

Other materials  
on request.

Load capability	static load (daN)		axial stiffness	mass (kg)
	mini	maxi	( $\text{N}\cdot\text{mm}^{-1}$ )	
2	4	6	12	0,5
3	8	12	24	

Example :  
BFL-12

**B F L - 1 2**

Prefix :  
"Low Frequency" mount  
from the **BFL** series

min static load : 4 daN  
max static load : 6 daN  
axial average stiffness :  $12 \text{ N}\cdot\text{mm}^{-1}$

01/07/2013

Socitec  
BP 33, 78501 Sartrouville cedex - France  
Telephone : +33 (0)1 61 04 60 00  
Fax : +33 (0)1 39 14 03 27  
<http://www.socitec.com>  
e-mail : [shock-intl@socitec.com](mailto:shock-intl@socitec.com)

Document subject to modification without prior notice

